



REQUEST FOR QUOTATION

<p>Contact person/Telephone Thomas Ingenito/212-435-3921</p>	<p>Collective# / RFQ Number / Bid Due Date 0000021890 / / 08/03/2010 Bids must be received no later than 11:00 AM on the above Bid Due Date.</p> <p>Deliver Goods/Services To: Path ACADEMY ST Jersey City NJ 07302</p>
--	--

Quantity	Description	Unit Price	Total
	<p>DC TRACTION POWER FEEDER CIRCUIT BREAKERS</p> <p>BIDS TO BE SEALED & SUBMITTED PER INSTRUCTIONS (emailed / faxed bids will not be accepted)</p> <p>DATA TO BE ATTACHED TO BID: Sufficient technical data should be submitted with the bid to allow for PATH Engineering's verification of conformance to the referenced specification & drawing.</p> <p>Port Authority terms & conditions apply. Breaker manufacturer's terms & conditions should not be attached to the bid.</p> <p>ATTACHMENTS::</p> <p>SPECIFICATION - DC Bkr PO SS # 14 Spec7-1-10 (3 pages)</p> <p>DWG. NO.D-1055-1 SCHEMATIC & CONNECTION DIAGRAM</p>		
	<p>PLEASE QUOTE FULLY DELIVERED PRICES</p>	<p>PAYMENT TERMS</p>	<p>Total Delivered Price</p>

This Quotation is subject to the terms and conditions set forth on the back page hereof. Bidder is advised to read these before we have read the instructions and, if favored with an order, we agree to furnish the items enumerated herein at the prices and under the conditions indicated.

NOTICE TO BIDDERS: Unless the following term of assurance that the above offer is irrevocable is signed, the offer submitted herein shall not be deemed to be complete.

Signed _____
 Firm Name _____
 Telephone number _____ Date _____
 Fax Number _____
 Federal Taxpayer ID _____

Bidder
 Must
 Sign
 In
 Two
 Places

The foregoing offer shall be irrevocable for 90 days after the date on which The PORT AUTHORITY TRANS-HUDSON CORPORATION opens this proposal.

Signed _____ Date _____
 Firm Name _____



REQUEST FOR QUOTATION

	RFO Number / Bid Due Date * / 08/03/2010
--	---

Quantity	Description	Unit Price		Total
	<p>This is a Formal Bid Invitation Mail Sealed Bids to:</p> <p>The Port Authority of NY & NJ Attn: Bid Custodian Procurement Department One Madison Avenue, 7th Floor New York, N.Y. 10010</p> <p>by the date and time listed above, where it will be publicly opened and read.</p> <p>Bids are only accepted Monday through Friday, excluding Port Authority holidays, between the hours of 8 A.M. & 5 P.M., via regular mail, express delivery service or hand delivery.</p> <p>If you do not use or have an envelope provided, you must clearly mark the outside envelope/package with 'BID ENCLOSED' and show the company name, address, as well as Bid number and Due date as stated on this bid document.</p> <p>A valid photo id is required to gain access into the building, to attend the bid opening or hand deliver a bid.</p>			
	PLEASE QUOTE FULLY DELIVERED PRICES	PAYMENT TERMS		
		Total Delivered Price		

This Quotation is subject to the terms and conditions set forth on the back page hereof. Bidder is advised to read these before we have read the instructions and, if favored with an order, we agree to furnish the items enumerated herein at the prices and under the conditions indicated.

NOTICE TO BIDDERS: Unless the following term of assurance that the above offer is irrevocable is signed, the offer submitted herein shall not be deemed to be complete.

Signed _____
 Firm Name _____
 Telephone number _____ Date _____
 Fax Number _____
 Federal Taxpayer ID _____

Bidder
 Must
 Sign
 In
 Two
 Places

The foregoing offer shall be irrevocable for 90 days after the date on which The PORT AUTHORITY TRANS-HUDSON CORPORATION opens this proposal.

Signed _____ Date _____
 Firm Name _____



REQUEST FOR QUOTATION

	RFO Number / Bid Due Date / 08/03/2010
--	---

Quantity	Description	Unit Price	Total
3 EA	<p>Circuit Breakers</p> <p>A price preference of 10 % is available for NY/NJ Minority and Women Business Enterprises (M/WBE) or 5% for NY/NJ Small Business Enterprises (SBE) certified by the Port Authority (PA) by the day before bid opening for awards not exceeding \$1,000,000. My firm was certified as a _____ on _____.</p> <p>Price of the Circuit Breakers to include engineering, accessories, warranty, shipping material and shipping cost to PATH, and all other associated cost, in accordance with the technical specifications attached.</p> <p>INDICATE YOUR DELIVEY LEAD TIME _____ WEEKS ARO (Priority Project -quote best delivery time)</p> <p>Deliver to: PATH--Attention Glen Smiley, PATH Supervisor 120 Academy Street Jersey City, NJ 07306 201-216-6962 PLEASE CALL 48 HOURS PRIOR TO DELIVERY</p>		
	PLEASE QUOTE FULLY DELIVERED PRICES	PAYMENT TERMS	Total Delivered Price

This Quotation is subject to the terms and conditions set forth on the back page hereof. Bidder is advised to read these before we have read the instructions and, if favored with an order, we agree to furnish the items enumerated herein at the prices and under the conditions indicated.

NOTICE TO BIDDERS: Unless the following term of assurance that the above offer is irrevocable is signed, the offer submitted herein shall not be deemed to be complete.

Signed _____
 Firm Name _____
 Telephone number _____ Date _____
 Fax Number _____
 Federal Taxpayer ID _____

Bidder
 Must
 Sign
 In
 Two
 Places

The foregoing offer shall be irrevocable for 90 days after the date on which The PORT AUTHORITY TRANS-HUDSON CORPORATION opens this proposal.

Signed _____ Date _____
 Firm Name _____



REQUEST FOR QUOTATION

	RFQ Number / Bid Due Date / 08/03/2010
--	---

Quantity	Description	Unit Price		Total	
PLEASE QUOTE FULLY DELIVERED PRICES		PAYMENT TERMS		Total Delivered Price	

This Quotation is subject to the terms and conditions set forth on the back page hereof. Bidder is advised to read these before we have read the instructions and, if favored with an order, we agree to furnish the items enumerated herein at the prices and under the conditions indicated.

NOTICE TO BIDDERS: Unless the following term of assurance that the above offer is irrevocable is signed, the offer submitted herein shall not be deemed to be complete.

The foregoing offer shall be irrevocable for 90 days after the date on which The PORT AUTHORITY TRANS-HUDSON CORPORATION opens this proposal.

Signed _____
 Firm Name _____
 Telephone number _____ Date _____
 Fax Number _____
 Federal Taxpayer ID _____

Bidder
 Must
 Sign
 In
 Two
 Places

Signed _____ Date _____
 Firm Name _____

TERMS AND CONDITIONS

1. The Port Authority (PA) reserves the right to request information relating to seller's responsibility, experience and capability to perform the work.
2. Unless otherwise provided, complete shipment of all items must be in one delivery FOB delivery point. Payment will not be made on partial deliveries unless authorized in advance by the party to be charged and the discount, if any, will be taken on the total order.
3. PA payment terms are net 30 days. Cash discounts for prompt payment of invoices may be taken but will not be considered in determining award, except in the case of tie bids.
4. Separate unit and total FOB delivered prices must be shown.
5. Sales to the PA and to PATH are currently exempt from New York and New Jersey State and local taxes and generally from federal taxation. The seller certifies that there are no federal, state, municipal or any other taxes included in the prices shown hereon.
6. The PA shall have the absolute right to reject any or all proposals or to accept any proposal in whole or part and to waive defects in proposals.
7. Unless the phrase "no substitute" is indicated, bidder may offer alternate manufacturer / brands, which shall be subject to Port Authority approval. Please indicate details of product being offered with bid.
8. Acceptance of seller's offer will be only by Purchase Order Form signed by the PA. No change shall be made in the agreement except in writing.
9. If the seller fails to perform in accordance with the terms of this purchase order, the PA may obtain the goods or services from another contractor and charge the seller the difference in price, if any, a reletting cost of \$100, plus any other damages to the PA.
10. Upon request, sellers are encouraged to extend the terms and conditions of any terms agreement with the PA to other government and quasi-government entities by separate agreement.
11. By signing this quotation or bid, the seller certifies to all statements on Form PA 3764 regarding non-collusive bidding; compliance with the PA Code of Ethics; and the existence of investigations, indictments, convictions, suspensions, terminations, debarments and other stated occurrences to assist the PA in determining whether there are integrity issues which would prevent award of the contract to the seller. The PA has adopted a policy set forth in full on PA 3764, that it will honor a determination by an agency of the State of New York or New Jersey that a bidder is not eligible to bid on or be awarded public contracts because the bidder has been determined to have engaged in illegal or dishonest conduct or to have violated prevailing wage legislation. The Terms and Conditions of PA 3764 apply to this order. A copy can be obtained by calling (212) 435-3902 or at <http://www.panynj.gov/pdf/PA3764.pdf>.
12. The vendor may subcontract the services or use a supplier for the furnishing of materials required hereunder to such persons or entities as the Manager, Purchasing Services may from time to time expressly approve in writing. All further subcontracting shall also be subject to such approval.
13. The successful bidder (vendor) shall not issue nor permit to be issued any press release, advertisement, or literature of any kind, which refers to the Port Authority or that goods will be, are being or have been provided to it and/or that services will be, are being or have been performed for it in connection with this Agreement, unless the vendor first obtains the written approval of the Port Authority. Such approval may be withheld if for any reason the Port Authority believes that the publication of such information would be harmful to the public interest or is in any way undesirable.

Furnish and Deliver Three (3) DC traction Power Feeder Circuit Breakers

I Scope Description:

As directed by PATH, furnish and deliver three (3) 4000 amp, 800VDC draw-out DC traction power feeder Circuit Breakers, type HSN, with accessories, as manufactured by Myers Controlled Power LLC, or an approved equal.

- DC Breakers shall be compatible with existing CPC Switchgear. Refer to attached drawing # D-1055-1, dated 02/03/90

GEC Type HSN-P	
Frame Size:	4000 amp
Rated Max Voltage:	800 volts
Rated Continuous Current	4000 amp
Trip device:	Bi- directional
Rated Momentary Current:	173 ka
Rated Peak Current:	200 ka
Rated Short time Current:	80 ka
Rated Short circuit Current:	200 ka
Control Voltage:	125 vdc

- DC breakers shall be the draw out type truck and cell assembly for operating within PATH existing 24" wide switchgear feeder cubicles. The breakers shall be wired as per attached CPC drawing # D-1055-1, dated 02/03/90. Titled "Schematic & Connection Diagram Type HSN DC Truck Circuit Breaker".

II Delivery:

Within (14) weeks from PATH acceptance of the Vendor's proposal, the Vendor shall have delivered all three (3) new Circuit Breakers and accessories to the following address:

Harrison Shop and Yard Substation # 14
Foot of Cape May Rd.
Harrison NJ 07029

Contact Mr. Glen Smiley, Chief Maintenance Supervisor Power, telephone # 201 216 6292 to coordinate and schedule deliveries. All deliveries are to be made between the hours of 8:00am and 2:00pm on weekdays. Provide 72 hours notice to PATH prior to any delivery. Breakers are to be set on individual pallets and

delivered in a vehicle that facilitates unloading by PATH personnel with a forklift.

III Schedules

Within one (1) week from PATH acceptance of the proposal, the Vendor shall submit a schedule detailing all phases of work including.

- Submittals dates
- Enclosure & Breaker fabrication dates
- Production acceptance testing dates
- Delivery dates

IV Standards

ANSI C37.14, C37.16, C37.17, C37.100,

V DC Breaker Features

- a. 125vdc control voltage
- b. Trip adjustable between 100% and 400% of continuous rating
- c. 200KA current rating
- d. Brazed arcing contact assembly
- e. Drawout type
- f. 800 V, 4000 A rated
- g. Bi-Directional overload trip device
- h. One shunt trip coil.
- i. 7NO, 7NC Auxiliary switch contacts
- j. Schematic and connections per CPC drawing # D-1055-1, dated 02/03/90
- k. Accessories: Furnish & deliver six (6) units of the following
 - i. Spring Compression Tool
 - ii. Manual Closing Handle
 - iii. Arc Chute lifting Strap
 - iv. Maintenance Tool Kit
 - v. Arcing Contact Lead Gauge
 - vi. Contact Pressure Gauge
 - vii. Contact Finger Setting Gauge
 - viii. Spring Compression Tool

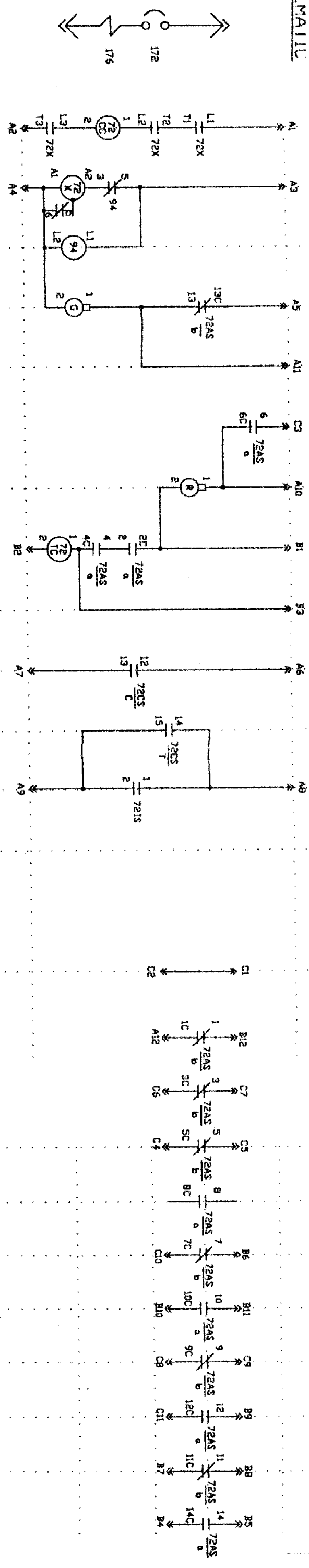
VI. Testing

- a. All Factory production tests as listed in ANSI C37.14 and C37.17 shall be conducted on each unit.
- b. All factory production tests shall be performed in accordance with ANSI C37.14 and C37.17.
- c. PATH shall be afforded the opportunity to witness factory tests.

VII Warranty

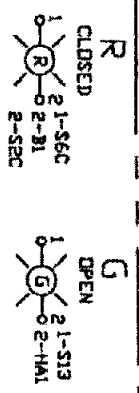
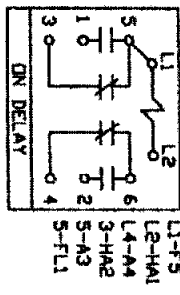
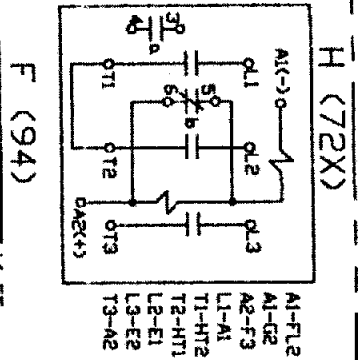
Provide a one-year manufacturers warranty.

SCHEMATIC



WIRING DIAGRAM

SECONDARY DISCONNECT

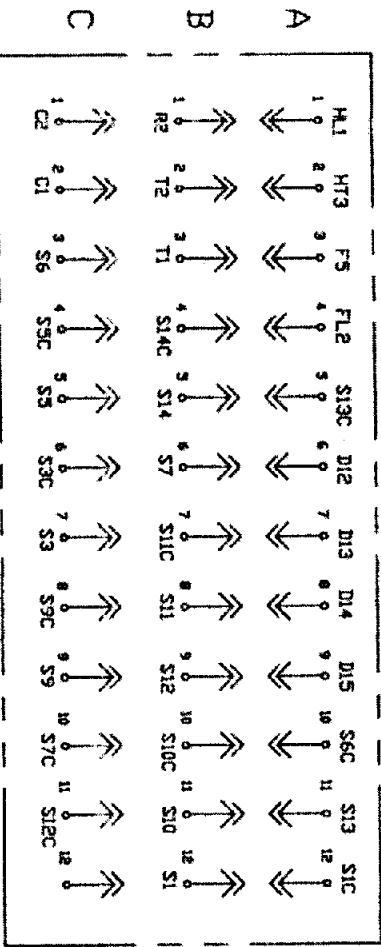


D (72CS)

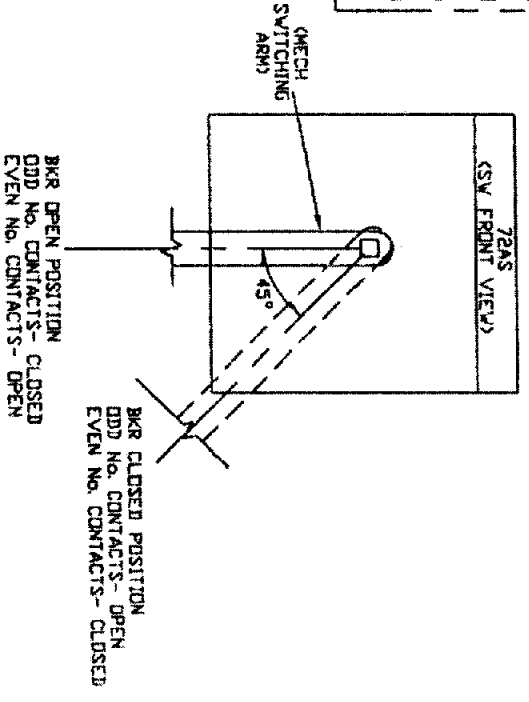
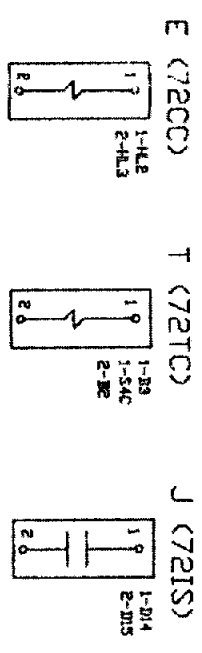
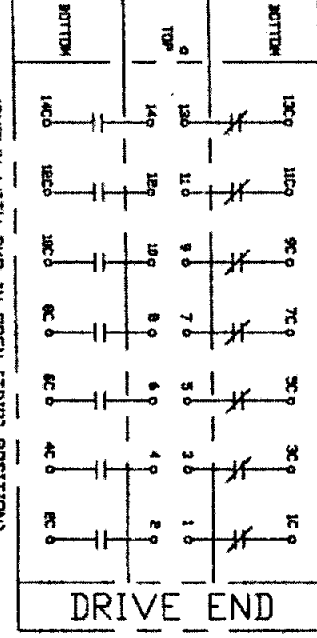
SWITCH POSITION	12-A6	13-A7	14-A8	15-A9	15-J2
1	X	X	X	X	X
2	X	X	X	X	X
3	X	X	X	X	X
4	X	X	X	X	X

X - INDICATES CONTACTS CLOSED

DOOR (REAR VIEW)



	TOP	BOTTOM
FRONT	2-S2 4-S4 6-C3 8- 10-B1 12-B9 14-B5	2C-R2 4C-T1 6C-A10, R1 8C- 10C-B10 12C-C11 14C-B4
REAR	1-B12 3-C7 5-C3 7-F5 9-C9 11-38 13-41L, G1	1C-A12 3C-C6 5C-C4 7C-C10 9C-C8 11C-B7 13C-A5



7/28/75
FACTOR 6

MICROFILMED

DATE	2/2/79	CONTROLLED FROM LIMITED INFORMATION CENTER, BOSTON
TITLE	SCHEMATIC & CONNECTION DIAGRAM	
TYPE	HSN	
	D.C. TRUCK CKT. BREAKER	
DWG. NO.	D-1055-1	